



BUILT-IN ELECTRIC GRILL (CUSTOM AND ISLAND BUNDLE MODELS)

E251i Series

INSTALLATION INSTRUCTIONS AND OWNER'S MANUAL



Custom model shown

INSTALLER: Leave these instructions with consumer.
CONSUMER: Retain for future reference.

IMPORTANT: READ THESE INSTRUCTIONS CAREFULLY BEFORE STARTING INSTALLATION OR USE.

SAFETY AND WARNING CODES

PLEASE READ AND FOLLOW

- Removing permanently affixed rating warning labels **WILL** void the warranty.
- Observe all local codes and ordinances when installing this appliance. If no local codes are applicable, wire unit in accordance with the latest National Electrical Code, ANSI/NFPA 70, or the Canadian Electrical Code, CSA C22.1, whichever is applicable.

⚠ WARNING

When connecting this appliance to a power supply make sure that it is the same voltage as the unit rating. Improper connection may cause severe damage to the components or decrease the performance of your Fire Magic electric grill. A rating plate specifying voltage, hertz, wattage, and amps is attached to the unit. Also see the IMPORTANT SAFEGUARDS section. To avoid the risk of property damage and/or personal injury, installation work and electrical wiring must be performed by a qualified professional service technician. This appliance must be installed in accordance with this instruction.

ONLY TO BE USED OUTDOORS

⚠ WARNING

Improper installation, adjustment, alteration, service, or maintenance can cause injury or property damage. For proper installation, refer to the installation instructions. For assistance or additional information, consult a qualified professional service technician or service agency.

⚠ WARNING

To minimize the risk of property damage and/or personal injury, do not use a flexible extension power-supply cord unless it conforms with the specifications as listed in this manual (see IMPORTANT SAFEGUARDS section).

NOT FOLLOWING THESE INSTRUCTIONS EXACTLY WILL VOID THE MANUFACTURER'S WARRANTY.

Certified to: ANSI/UL 1026



Cooking Grid U.S.
Patent Nos.
D857,453
D862,984



GRIL ÉLECTRIQUE INTÉGRÉ

(MODÈLES PERSONNALISÉS
ET MODÈLES DE GROUPE)

Série E251i

INSTRUCTIONS D'INSTALLATION ET MANUEL DU PROPRIÉTAIRE

INSTALLATEUR : Laissez ces instructions avec le consommateur.

CONSOMMATEUR : Maintenez pour la future référence.

IMPORTANT: LISEZ CES INSTRUCTIONS SOIGNEUSEMENT AVANT DE COMMENCER L'INSTALLATION OU L'UTILISATION.



Modèle
personnalisé
illustré

SÛRETÉ ET CODES D'AVERTISSEMENT

SVP LISEZ ET SUIVEZ

- L'enlèvement de manière permanente a apposé des avertissements d'étiquette d'estimation videra la garantie.
- Observez tous les codes et ordonnances locaux en installant cet appareil. Si aucun code local n'est applicable, unité de fil selon le plus défunt code électrique national, ANSI/NFPA 70, ou le code électrique canadien, CSA C22.1, celui qui est applicable.

⚠ AVERTISSEMENT

En reliant cet appareil à une alimentation d'énergie assurez-vous que c'est la même tension que l'estimation d'unité. Le raccordement inexact peut endommager considérablement les composants ou diminuer l'exécution de votre gril électrique de Magic du feu. Une plaque de contrôle indiquant la tension, les hertz, la puissance en watts, et les ampères est attachée à l'unité. Voir aussi la section MISES EN GARDE IMPORTANT. Pour éviter le risque de dommages aux biens et/ou des blessures, les travaux d'installation et le câblage électrique doit être effectuée par un technicien de service professionnel qualifié. Cet appareil doit être installé selon cette instruction.

À UTILISER UNIQUEMENT À L'EXTÉRIEUR

⚠ AVERTISSEMENT

L'installation inexacte, l'ajustement, le changement, le service, ou l'entretien peuvent causer des dommages ou des dégâts matériels. Pour l'installation appropriée, référez-vous aux instructions d'installation. Pour de l'aide ou des renseignements supplémentaires, consulter une agence de technicien de maintenance ou de service professionnel qualifié.

⚠ AVERTISSEMENT

Pour réduire au minimum le risque de dégâts matériels et/ou de blessures, n'employez pas une prolongation flexible puissance-fournissent la corde à moins qu'elle se conforme aux caractéristiques comme énuméré en ce manuel (voir la section MISES EN GARDE IMPORTANT).

**NON SUIVANT CES INSTRUCTIONS
EXACTEMENT VIDERONT LA
GARANTIE DU FABRICANT.**

Certifié à: ANSI/UL 1026



Grille de cuisson Numéros de brevets américains:
D857,453 D862,984

Robert H. Peterson Co. • 14724 East Proctor Avenue • City of Industry, CA 91746

CONTENTS

GETTING STARTED

IMPORTANT SAFEGUARDS.....	4
GRILL ENCLOSURE / VENTILATION RECOMMENDATIONS.....	6
<i>ENCLOSURE</i>	7
INSTALLATION REQUIREMENTS	8
<i>OVERHEAD CONSTRUCTION REQUIREMENTS</i>	8
<i>REAR WALL CLEARANCES</i>	9
<i>SIDE WALL CLEARANCES (if applicable)</i>	9
<i>CORNER WALL CLEARANCES (if applicable)</i>	9
<i>CONTROL PANEL CLEARANCES</i>	10
<i>BELOW UNIT CLEARANCE</i>	10
<i>COOLING AIRFLOW</i>	10
MODEL SPECIFICATIONS.....	11
<i>COUNTERTOP OVERHANG</i>	12
<i>ENCLOSURE VENTILATION</i>	12
<i>SUBSTRATE</i>	13
<i>WIRING DIAGRAM</i>	13
ELECTRIC GRILL REPLACEMENT PARTS LIST.....	14

INSTALLATION

INSTALLATION	15
<i>ELECTRICAL SETUP</i>	15
<i>ROTISSERIE BRACKET SETUP (IF EQUIPPED)</i>	15
<i>ISLAND BUNDLE MODELS</i>	16
<i>CUSTOM MODELS</i>	16
<i>INSTALL WARMING RACK</i>	17
<i>INSTALL DRIP TRAY</i>	17

USE, CARE, & SERVICE

DIGITAL THERMOMETER / THERMOSTAT.....	18
OPERATION.....	21
<i>COOKING ELEMENT</i>	21
<i>ROTISSERIE (IF EQUIPPED)</i>	21
SERVICING AND CLEANING.....	22
<i>CLEANING YOUR ELECTRIC GRILL</i>	22
<i>CONTROL PANEL REMOVAL</i>	24
<i>INNER LINER REMOVAL</i>	24
CONTROL PANEL REMOVAL	24
TROUBLESHOOTING.....	25
WARRANTY	26



WARNING!

When using electrical appliances, basic safety precautions must always be followed including the following:

1. Read all instructions.

2. Do not touch hot surfaces, always use the handle.
3. To protect against electrical shock, do not immerse cord, plugs, probe or grill in water or other liquids.
4. Close supervision is necessary when any appliance is used near children.
5. Unplug from outlet when not in use and before cleaning or servicing. Allow to cool before putting on or taking off parts.

Note: After use and shut-off of this unit, **DO NOT** immediately disconnect the electric supply. The electric fan in this unit will continue to operate so that the unit may completely cool. Always allow sufficient cooling time prior to disconnecting the electric supply.

6. Do not operate appliance with a damaged cord or plug or after the appliance malfunctions or has been damaged in any manner. Return appliance to the nearest authorized service facility for examination, repair or adjustment.
7. The use of accessory attachments not recommended by the appliance manufacturer may cause injuries.
8. Do not let cord hang over edge of table or counter, or touch hot surfaces.
9. Do not place on or near a hot gas or electric burner or in a heated oven.
10. Extreme caution must be used when moving an appliance containing hot oil or other hot liquids.
11. To disconnect, turn any controls to OFF, allow time for the unit to cool completely, then remove plug from wall outlet.
12. Do not use appliance for other than intended use.
13. Fuel, such as charcoal briquettes, is not to be used with appliance.
14. Use only on a properly grounded receptacle:

Use only a properly wired and inspected 120VAC (15 AMP minimum) Ground Fault Circuit Interrupter (GFCI) GROUNDED 3-wire receptacle with this outdoor cooking appliance. The GFCI receptacle must be a WEATHER-PROOF IN-USE COVERED RECEPTACLE. Never remove the grounding plug or use with an adapter of 2 prongs.

15. NEVER grill in the open rain or in standing water as this grill is an electric appliance. There is always a hazard of electric shock while operating this unit.
16. **FOR YOUR SAFETY, it is recommended to install the unit so that the recommended vent openings and surrounding area of the unit enclosure remain clear and free at all times. See the GRILL ENCLOSURE/VENTILATION RECOMMENDATIONS section for details.**
17. Keep the appliance area clear and free from combustible materials, gasoline, and other flammable vapors. **ALL MINIMUM CLEARANCES STATED IN THE INSTALLATION REQUIREMENTS SECTION MUST BE MAINTAINED.**
18. This appliance does not contain a fuse or surge protector. The power to the unit must be made readily accessible to the operator through means of a dedicated 15 AMP circuit breaker.
19. **The provisions of the National Electric Code as well as any local codes must be observed when installing the product.**

IMPORTANT SAFEGUARDS (cont.)

20. Store products indoors when not in use - out of reach of children.
21. A short power-supply cord is provided to reduce the risk resulting from becoming entangled in or tripping over a longer cord. Extension cords may be used if care is exercised in their use.

If an extension cord is used:

The marked electrical rating of the extension cord should be at least as great as the electrical rating of the appliance. The cord should be arranged so that it will not drape over the countertop or tabletop where it can be pulled on by children or tripped over unintentionally.

Use only **14-gauge (or larger)** extension cords that have a 3-wire grounding plug, are approved for outdoor use, are surface marked with the suffix letter "W", and have a tag stating "suitable for use with outdoor appliances." The length of the cord extension **must NOT exceed 25 feet**. Examine extension cord before using and replace if damaged. Connection to an extension cord shall be kept dry and off the ground.

22. **NEVER cover more than 75% of the cooking or grill surface with griddles or pans. Overheating of the electronic components will occur.**

SAVE THESE INSTRUCTIONS

IMPORTANT

IN THE EVENT OF A GREASE FIRE, IMMEDIATELY UNPLUG THE UNIT (OR TURN OFF THE POWER AT THE SOURCE). KEEP THE LID OPEN AND ALLOW THE FIRE TO EXTINGUISH ITSELF. KEEP AT A SAFE DISTANCE. A THOROUGH INSPECTION BY A QUALIFIED PROFESSIONAL SERVICE TECHNICIAN SHOULD BE CONDUCTED BEFORE FUTURE USE OF YOUR UNIT. THE SERVICE TECHNICIAN WILL CHECK ALL ELECTRICAL WIRING FOR DAMAGE. ALL WIRING MUST BE REPAIRED PRIOR TO FUTURE USE.

GRILL ENCLOSURE / VENTILATION RECOMMENDATIONS

Fire Magic Electric Grill Island Bundles meet all enclosure and ventilation recommendations. [For recommendations regarding custom-built enclosures \(for custom models\), see below.](#)

VENTILATION

FOR YOUR SAFETY, it is recommended provide openings for replacement air and ventilation of the grill enclosure (to prevent overheating).

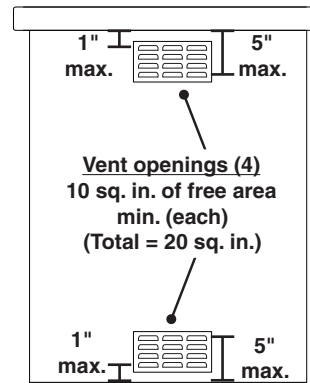
2 (minimum) ventilation openings should be created (reference Fig. 6-1 and Fig. 6-2):

- **Each opening should have a minimum of 10 sq. in. of free area. The openings should be equally sized. (Total of 20 sq. in. free area.)**
- **ONE TOP OPENING** beginning 1" or less below the countertop level and end no more than 5" below the countertop level.
- **ONE BOTTOM OPENING** beginning 1" or less above the floor level and end no more than 5" above the floor level.
- **The openings should remain unobstructed:**
The clearance between the openings and any items outside of the enclosure is a minimum of 6". The clearance between the openings and any items within the enclosure is a minimum of 2". See Fig. 6-2.
- Refer to national and local codes for additional specifications of openings.

KEEP THE VENT OPENINGS AND SURROUNDING AREA OF THE ENCLOSURE CLEAR AND FREE AT ALL TIMES.

Ventilation Recommendations:

- **Minimum 2 openings**
- **1 top opening: within 5" of countertop (see below)**
- **1 bottom opening: within 5" of floor (see below)**
- **Each vent opening: min. 10 sq. in. of free area (Total = 20 sq. in. free area)**
- **Refer to national and local codes for additional specifications of openings.**



Keep surrounding area and vent openings clear and free at all times.

Note: Vent openings example shown. Your design may vary.

Fig. 6-1 Ventilation detail

- **6" min. clearance between all vent openings and any items outside of enclosure**
- **2" min. clearance between all vent openings and any items within enclosure**

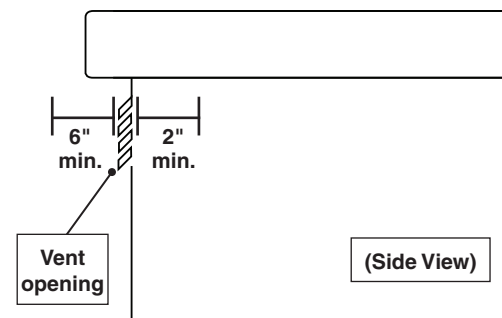


Fig. 6-2 Ventilation detail

GRILL ENCLOSURE / VENTILATION RECOMMENDATIONS (cont.)

ENCLOSURE

The countertop **MUST** be constructed of non-combustible materials. The enclosure can be constructed of combustible or non-combustible materials.

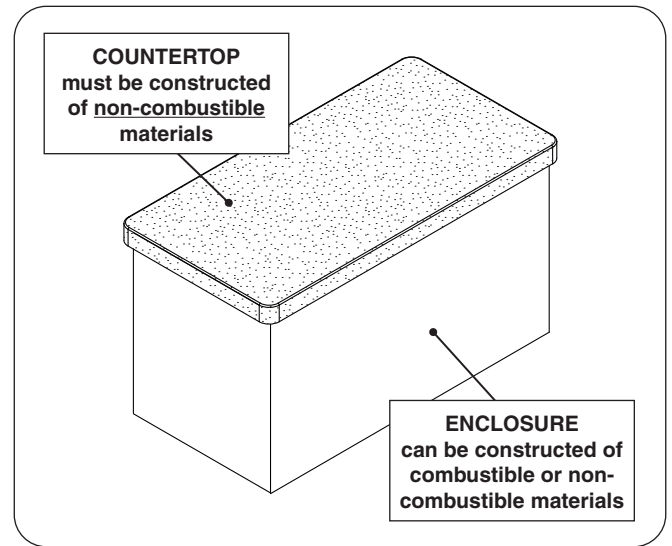


Fig. 7-1 Enclosure detail

INSTALLATION REQUIREMENTS

Installation must be performed by a qualified professional service technician.

OVERHEAD CONSTRUCTION REQUIREMENTS

Refer to Fig. 8-1:

- A minimum clearance of 30" is required between the countertop and any overhead construction directly above the grill. The construction directly above the grill must have a minimum width of 30".
- A minimum clearance of 18" is required between the countertop and any overhead construction to the sides of the grill.
- A maximum depth of 13" is permitted for the overhead cabinets.
- It is recommended that the area above the cooking surface of the unit be covered with an exhaust hood.

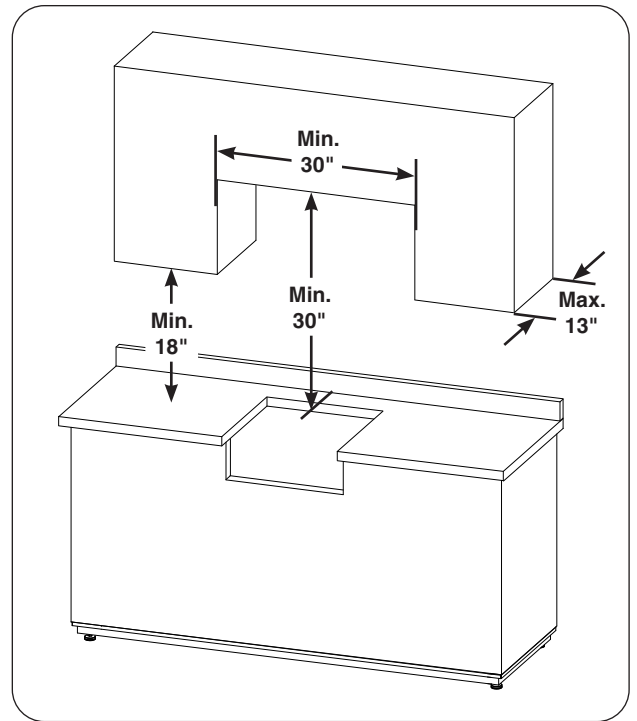


Fig. 8-1 Overhead requirements

INSTALLATION REQUIREMENTS (Cont.)

REAR WALL CLEARANCES

The unit must have a minimum clearance of 4" from the rear wall (see Fig. 9-1).

(To allow for proper ventilation and prevent dangerous overheating.)

BACKSPLASH CLEARANCE (if applicable)

If a backsplash exists, it must have a minimum of a 4" clearance from the rear of the unit (to allow for proper ventilation and prevent dangerous overheating). See Fig. 9-2.

Important: This 4" backsplash clearance must first be met prior to any walls beginning behind it.

SIDE WALL CLEARANCES (if applicable)

The unit must have a minimum clearance of 6" from any side walls. See Fig. 9-3.

CORNER WALL CLEARANCES (if applicable)

The unit must have a minimum clearance of 18" from any side walls (to account for variables in airflow that could affect performance). See Fig. 9-4.

Clearances continued on following page

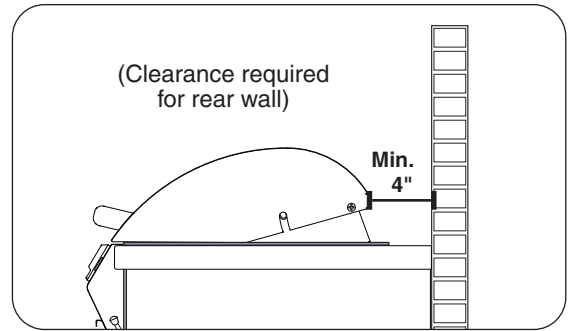


Fig. 9-1 Clearance 'A' Diagram

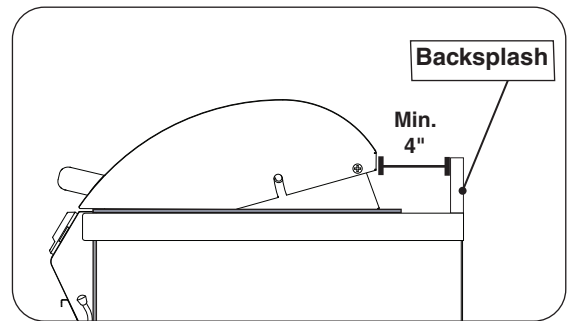


Fig. 9-2 Backsplash clearance

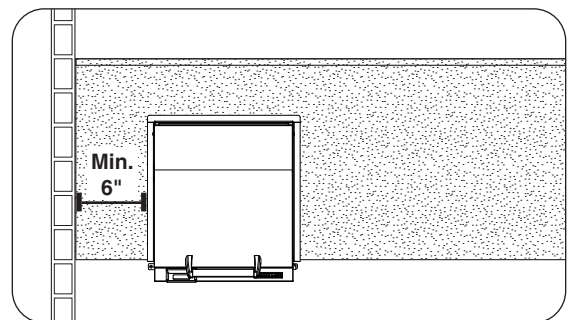


Fig. 9-3 Side wall clearance

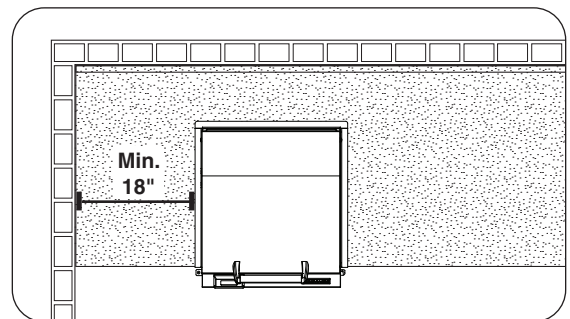


Fig. 9-4 Corner wall clearance

INSTALLATION REQUIREMENTS (Cont.)

CONTROL PANEL CLEARANCES

- The control panel **MUST** have a minimum side clearance of 6" from any obstructions/side walls. See Fig. 10-1.
(To allow for control panel removal and access to meat probe.)
- The control panel **MUST** remain removable for servicing (see CONTROL PANEL REMOVAL section). Any adjacent countertops must not obstruct the panel from being removed.

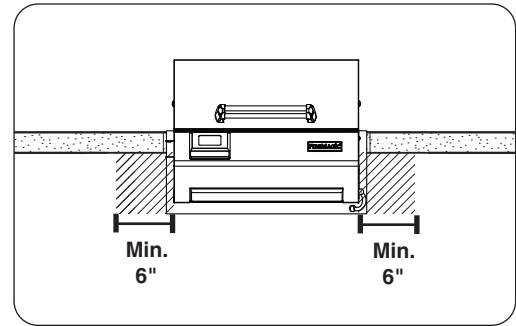


Fig. 10-1 Control panel clearances

BELOW UNIT CLEARANCE

A minimum 2" clearance is required beneath the bottom of the unit to ensure proper operation and ventilation.

COOLING AIRFLOW

Proper airflow (front-to-back, Fig. 10-2) **MUST** be maintained for the unit to perform as it was designed. If airflow is blocked, overheating will result. Do not block the 1" front air inlet along the bottom of the control panel.

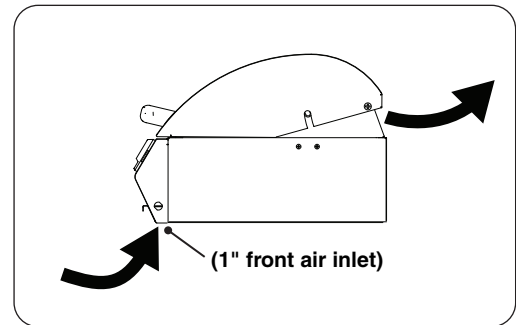


Fig. 10-2 Airflow diagram

CAUTION: Wind blowing into or across the rear oven lid vent (Fig. 10-4) can cause poor performance and/or dangerous overheating. Install the grill so that the prevailing wind blows toward the front of the grill (Fig. 10-3).

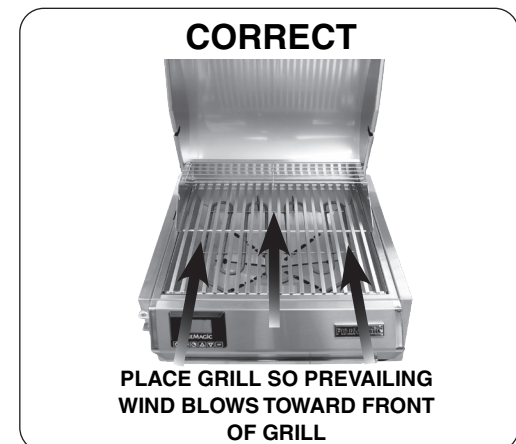


Fig. 10-3 Airflow direction - CORRECT



Fig. 10-4 Airflow direction - INCORRECT

MODEL SPECIFICATIONS

Input electrical requirements	120VAC / 15 AMP minimum / 60 Hz / GFCI outlet *
Appliance rating	120VAC / 1,680 watts / 14 AMP / 60 Hz
* See IMPORTANT SAFEGUARDS section for important details regarding GFCI outlets and extension cords.	

Table 1 - Product Specifications

The grill serial identification number and rating label is located behind the unit.

Height		Width	Depth
Bottom of flange to top (with oven)		(Left to right)	(Front to back)
Open (A)	Closed (B)	Maximum width (C)	Maximum depth (D)
29"	15"	18 7/8"	23"

Table 2 - Grill Dimensions

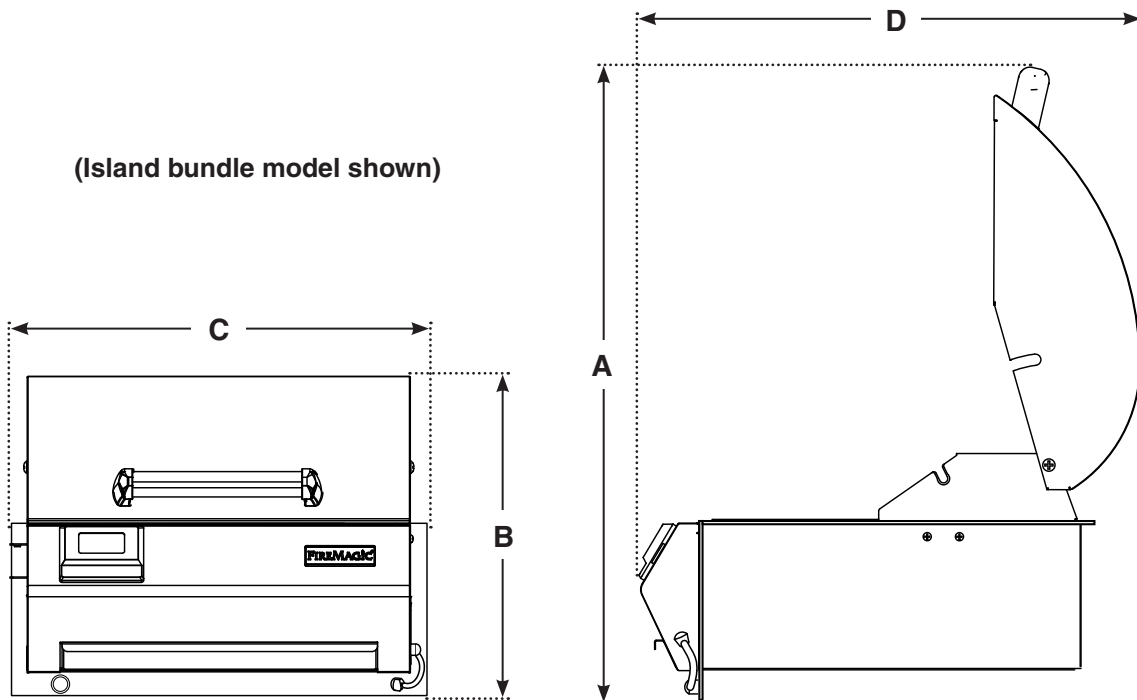


Fig. 11-1

MODEL SPECIFICATIONS (cont.)

Description	Dimension
A Countertop to unit bottom cutout	7 7/8"
B Side to side non-combustible cutout	17 1/2"
C Front to back non-combustible cutout †	17 1/2"
D Trim flange width non-combustible cutout ‡	19 1/4"

† Includes any substrate at front wall of enclosure (in the area the trim flange [of the control panel] is to sit flush against). See **SUBSTRATE** section on next page.

‡ Only applicable for enclosures that have countertops with an overhang (see illustration and section below).

Table 3 - Cutout Dimensions

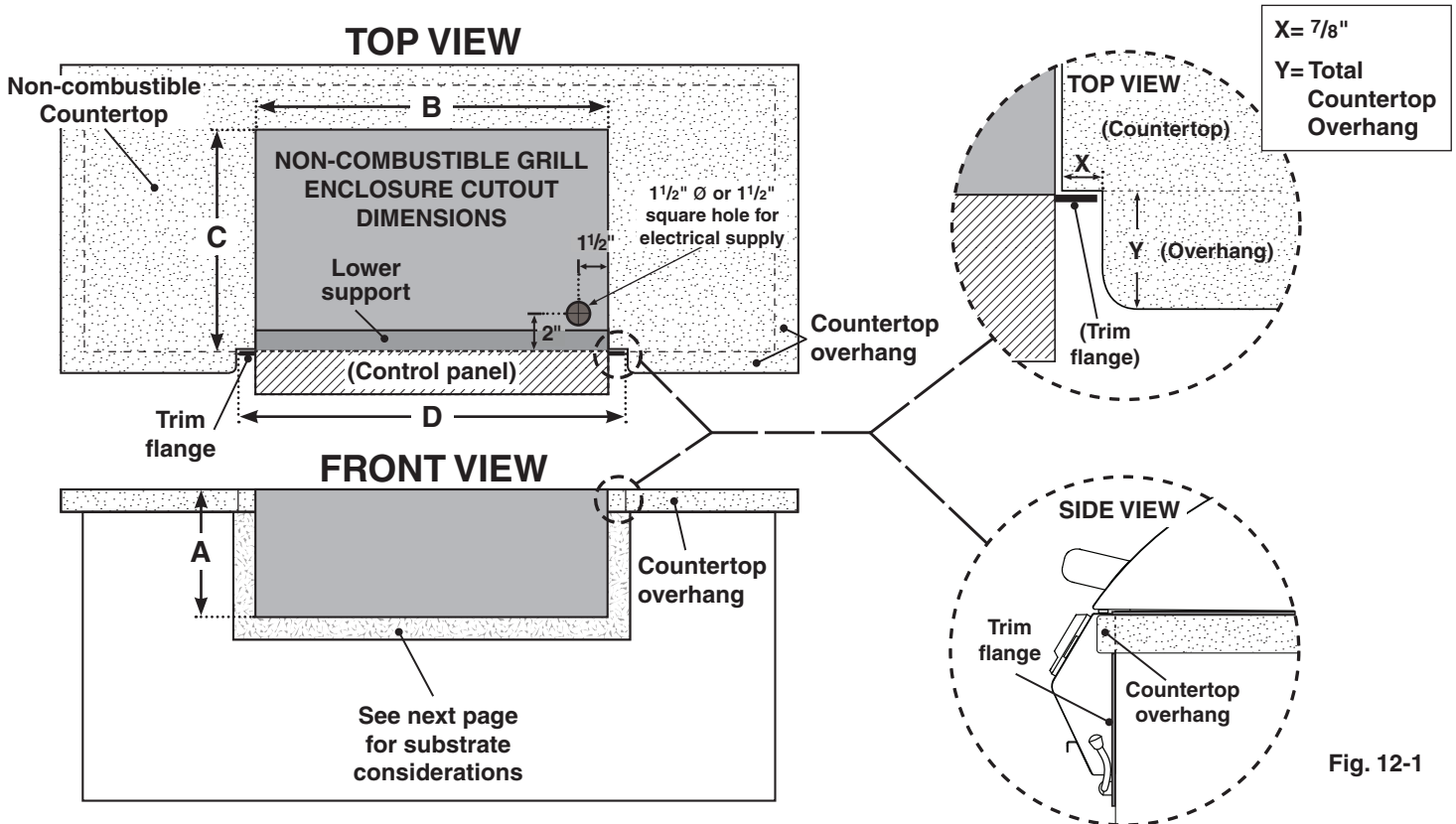


Fig. 12-1

COUNTERTOP OVERHANG

The control panel is designed to sit flush against the grill enclosure front wall. If the enclosure countertop extends beyond the front wall, creating a countertop overhang, it must be cut flush with the front wall for the width of the control panel (and trim flange) or a gap will be created exposing the forward portions of the left and right side grill fire walls. See illustrations above.

ENCLOSURE VENTILATION

FOR YOUR SAFETY, it is recommended to provide openings for replacement air and ventilation of the grill enclosure (to prevent overheating). See the **GRILL ENCLOSURE / VENTILATION RECOMMENDATIONS** section for details.

SUBSTRATE

When adding any substrate to the grill enclosure front wall (including tiles, stone, etc.), consider the following:

Substrate Behind Trim Flange

Substrate + countertop "front to back" cutout must equate to **Dim. C** (see previous page) when the substrate sits flush behind the trim flange (of the control panel).

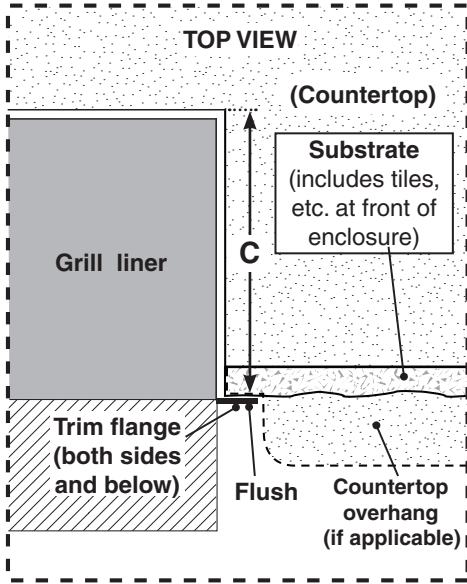


Fig. 13-1

Substrate Alongside Trim Flange

Any additional substrate alongside the trim flange (of the control panel) does not need to be considered in **Dim. C** (see previous page).

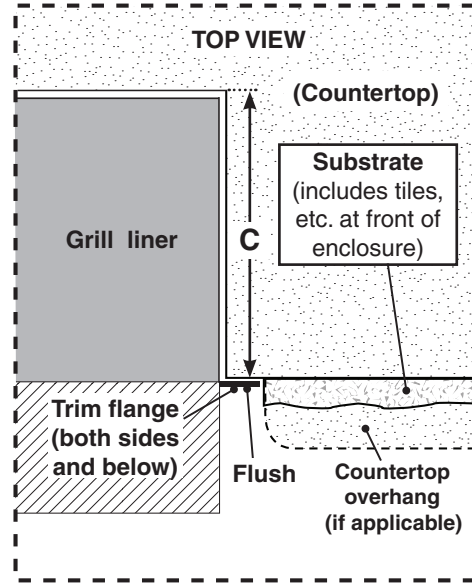


Fig. 13-2

WIRING DIAGRAM

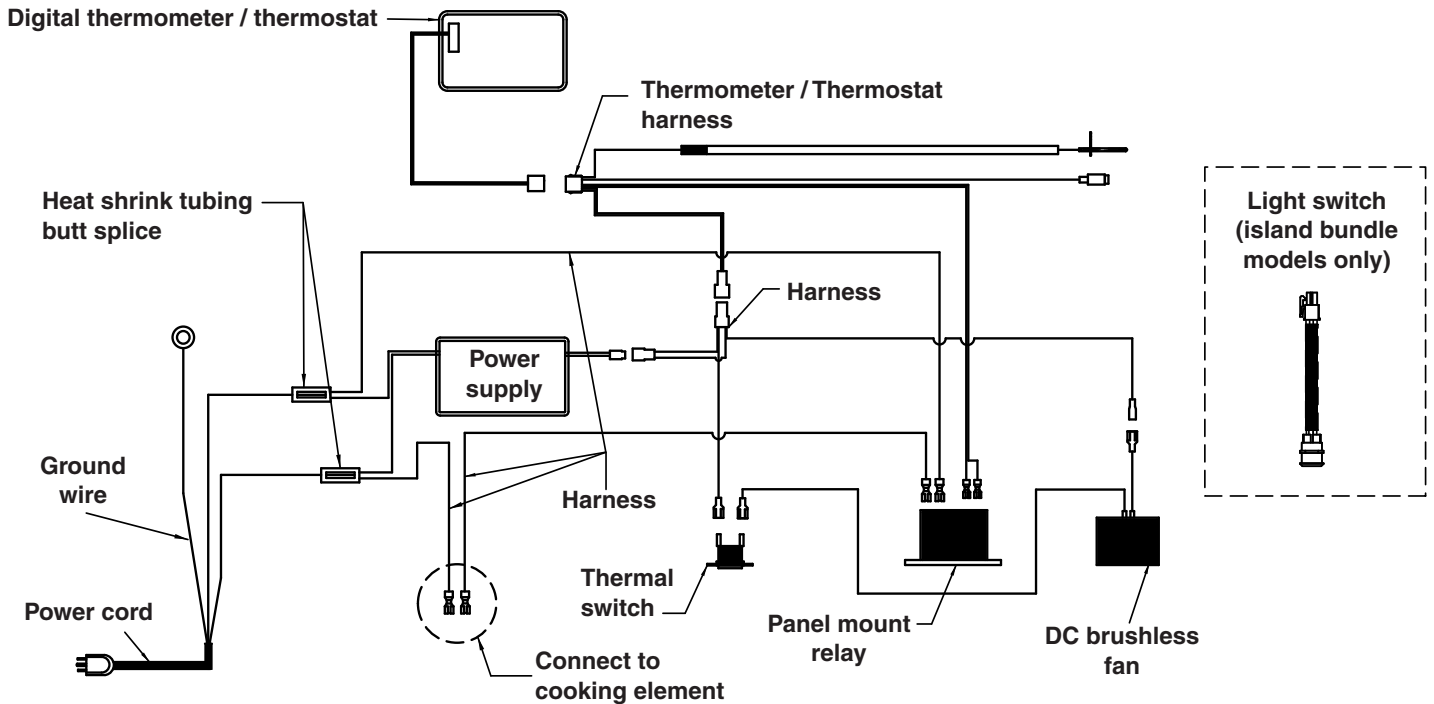


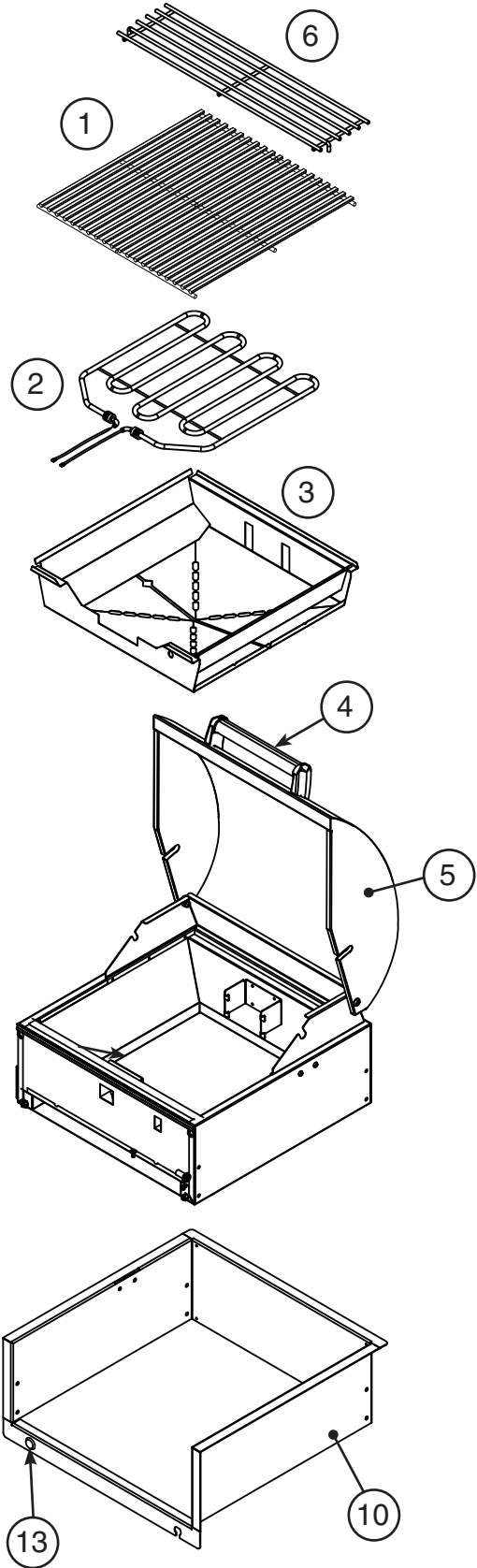
Fig. 13-1

Note: In addition, a wire diagram can be found affixed to the inside of the control panel.

ELECTRIC GRILL REPLACEMENT PARTS LIST

Item	Description	Part No.	Qty.
1.	Stainless cooking grid (set of 2)	3549-DS-2	1
2.	Cooking element	23115-01A	1
3.	Inner liner kit	23115-02A	1
4.	Handle assy.	23115-26	1
5.	Oven lid	23115-51	1
6.	Warming rack	3680A	1
7.	Digital thermometer/thermostat	23115-12	1
8.	Digital thermometer/thermostat wire harness *	23115-13	1
9.	Control panel w/ power cord & electronics	23115-07	1
10.	Hanger/surround (island bundle model)	23115-30-DC	1
or	Hanger/surround (custom model)	23115-30	1
11.	Meat probe	24187-14S	1
12.	Drip tray	3086	1
13.	LED light switch †	SW-15	1
14.	Rotisserie kit (island bundle model) ‡	3604S	1
or	Rotisserie kit (custom model) ‡	3621	1
15.	Drip tray liners (1 tray included, set of 4 provided at reorder)	3558	1
16.	Protective cover (custom model) * ‡	3646F	1
or	Protective cover (island bundle model) * ‡	DC250-5F	1

FOR ISLAND BUNDLE MODELS, REFER TO THE INSTRUCTIONS INCLUDED WITH THE ISLAND FOR ADDITIONAL REPLACEMENT PARTS.

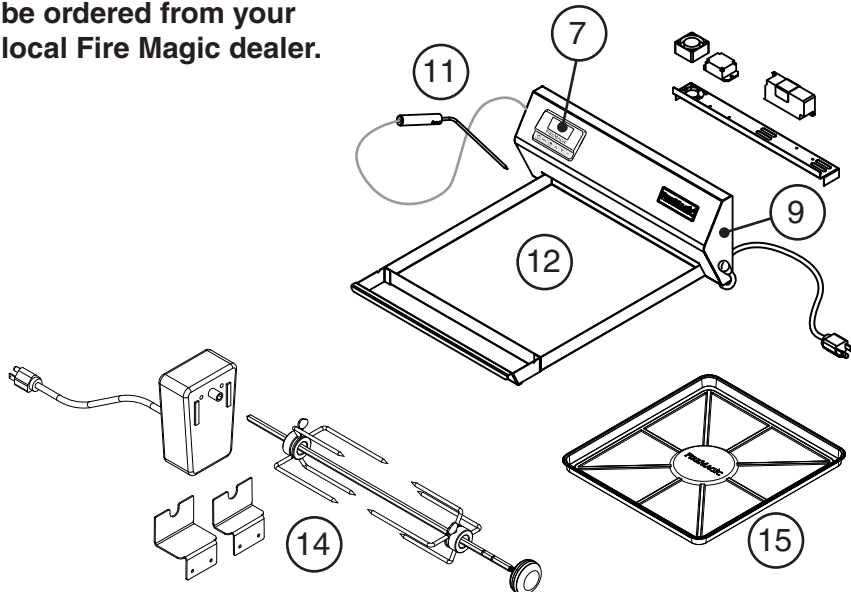


* Not shown
 † Island bundle models only
 ‡ Optional accessory

IMPORTANT
 Remove all packing material and discard prior to use.

(Island bundle model shown)

Replacement parts can be ordered from your local Fire Magic dealer.



INSTALLATION

ELECTRICAL SETUP

A **120VAC (15 AMP minimum) GFCI GROUNDED 3-wire receptacle** (not included) is required within the vicinity of the grill to provide power to the unit. The GFCI receptacle must be a **WEATHER-PROOF IN-USE COVERED RECEPTACLE**. Your individual installation may vary. **Observe the National Electric Code and all local codes.**

1. Wire the receptacle into the area of the unit.
 - **Verify proper polarity of the receptacle.**
 - **If an extension cord is used, ensure it meets all specifications found in the IMPORTANT SAFEGUARDS section.**
 - **DO NOT TAMPER WITH THE EXTENSION CORD OR THE UNIT POWER-SUPPLY CORD.**

ROTISSERIE BRACKET SETUP (IF EQUIPPED)

If an optional rotisserie has been purchased, the rotisserie bracket must be installed prior to grill installation, and use.

1. Using a Phillips screwdriver, remove the 2 screws located towards the rear, left side of the grill.
2. Locate the rotisserie bracket for your installation. See Fig. 15-2 and information below for the correct bracket.
 - Island bundle rotisserie kits include two brackets. Use the large bracket to mount the rotisserie motor.
 - Custom model rotisserie kits include one bracket. Use the included bracket to mount the rotisserie motor.
3. Slide the bracket through the slot on the hanger and align the holes of the rotisserie bracket with the exposed screw holes on the grill. Using the screws from step 1, fasten the bracket to the grill (see Fig. 15-3).

Reference the ROTISSERIE section for instructions on how to use the rotisserie.

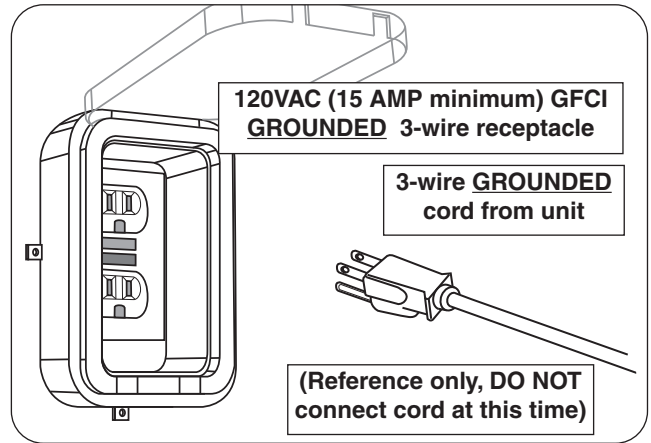


Fig. 15-1 Electrical setup detail

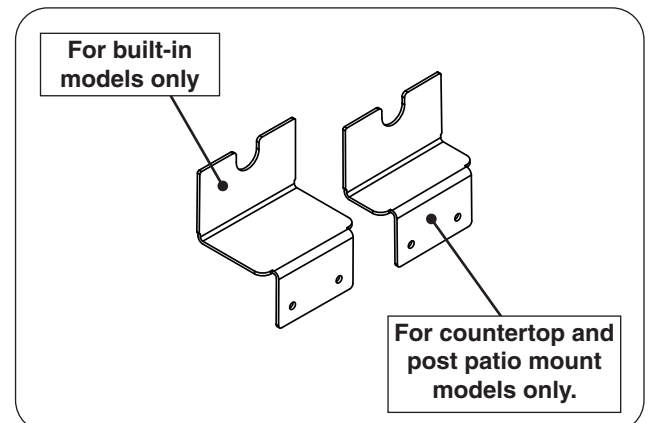


Fig. 15-2 Select rotisserie bracket (if equipped)

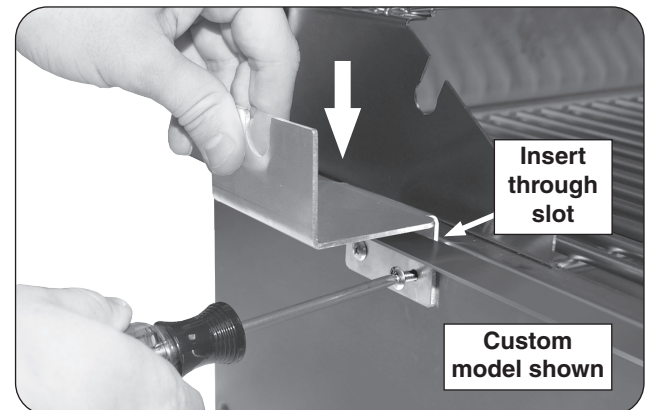


Fig. 15-3 Install bracket (if equipped)

ISLAND BUNDLE MODELS

For island bundle models, refer to the instructions included with the island for details on grill installation.

Then proceed to the INSTALL COOKING GRIDS section on the following page.

CUSTOM MODELS

Counter Preparation

Consult Table 3 for non-combustible enclosure cutout dimensions.

This outdoor built-in grill must be supported by the stainless-steel hanger extending from the upper portion of the grill. The hanger rests on the left, right, and back of the countertop.

The control panel is designed to sit flush against the enclosure front wall (see Fig. 16-1). If the enclosure countertop extends beyond the front wall, creating a countertop overhang (see Fig. 16-2), it must be cut flush with the front wall for the width of the control panel or a gap will be created exposing the forward portions of the left and right side grill fire walls. Reference the MODEL SPECIFICATIONS section.

Install Grill

Plug the grill power supply cord into the **15 AMP** outlet. Then carefully lower the grill into place. See Fig 16-3.

Important: Ensure the power supply cord is clear and undamaged, and that the grill is correctly inserted without any obstructions between it and the island. It must sit flat. DO NOT pinch any wires. Handle with care.

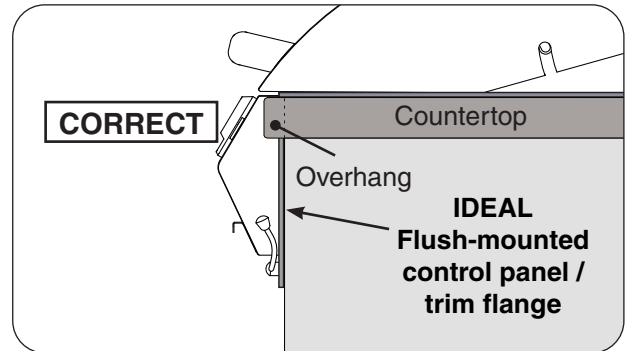


Fig. 16-1 Countertop overhang - correct cutout

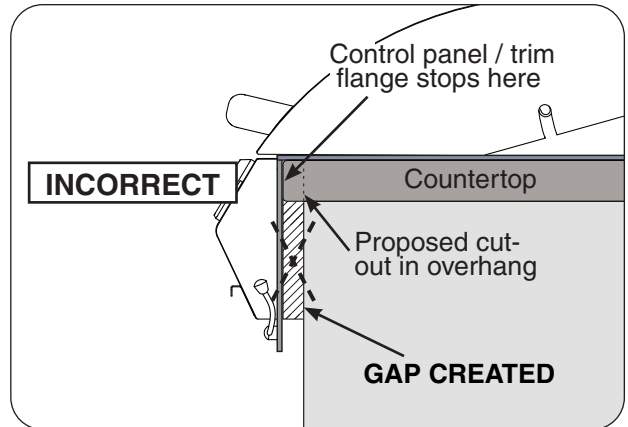


Fig. 16-2 Countertop overhang - incorrect cutout

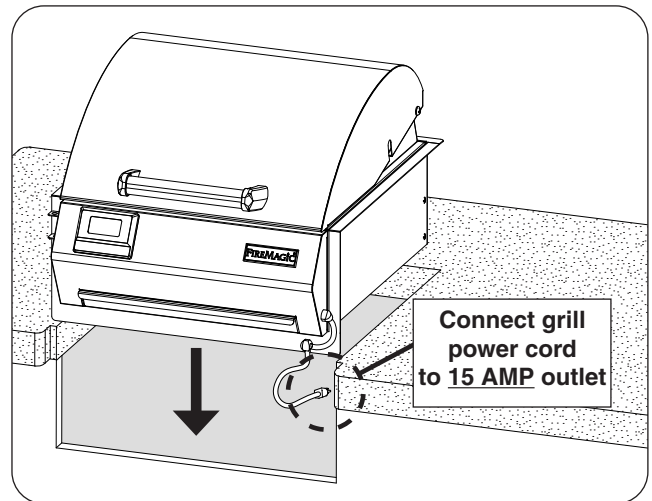


Fig. 16-3 Install grill

INSTALL COOKING GRIDS

Carefully place the cooking grids onto the front and rear grid rests of the unit (see Fig. 17-1).

INSTALL WARMING RACK

Install the warming rack by inserting the two feet through the holes found on the raised walls of the unit (see Fig. 17-1).

INSTALL DRIP TRAY

Your grill includes a sample drip tray liner. Place the liner into the drip tray as shown in Fig. 17-2, and fully insert the drip tray into the bottom front of the control panel.

Note: Be sure to center the liner in the drip tray, so that it provides complete coverage under all of the openings in the grill.

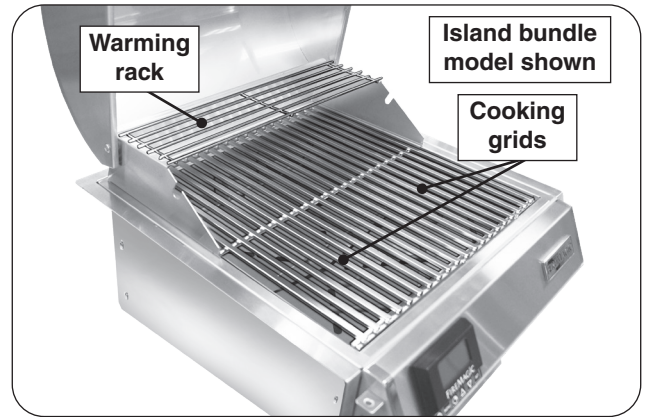


Fig. 17-1 Install cooking grids and warming rack



Fig. 17-2 Install drip tray

DIGITAL THERMOMETER / THERMOSTAT

Your electric grill comes with a digital thermometer/thermostat for temperature control, oven and meat probe temperature monitoring, and timed cooking. Pressing the power button on the thermometer will turn on the grill. **Once the grill is turned on, the cooking element immediately begins to heat. Preheating of the grill is required for it to reach the desired cooking temperature. Set the desired temperature as instructed below.**

The thermometer will automatically shut off 2 hours from the time the power button is pressed.

For optimal performance, keep the oven lid closed during cooking. This will maintain the cooking temperature. (Frequently opening or leaving the lid open during cooking will result in greater temperature loss.)

The thermometer is located on the left side of the control panel. The actual grill temperature will be maintained within a 20 degree (Fahrenheit) differential of the set temperature.

Plug in the meat probe on the left side of the control panel as shown in Fig. 18-1.

FOR BEST PERFORMANCE, GENTLY PRESS THE BUTTONS. When turned on, accurate temperature readings will begin after the thermometer has initialized. When turned off, allow 5 seconds prior to turning back on.

Read the following sections completely regarding thermometer/thermostat operation. Refer to Fig. 18-2 for thermometer orientation and button locations.

Default Screen

Press the power button to turn the thermometer ON. The default screen will be displayed. Temperatures for the oven and meat probe will be shown (see Fig. 18-3).

Menu Screen

Press the power button to turn the thermometer ON. The default screen will be displayed. Press the **MENU** button to display its screen. Press the up/down arrow to scroll through the options (see Fig. 18-4).

Note: The menu screen will return to the default screen after approximately 30 seconds of no activity. Press the **MENU** button to manually return to the default screen.

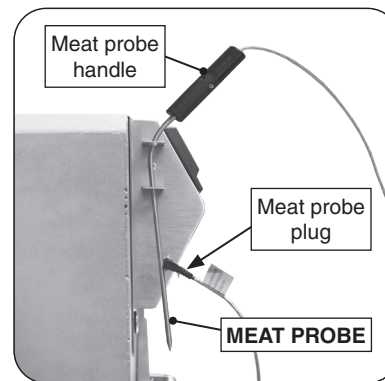


Fig. 18-1 Meat probe detail

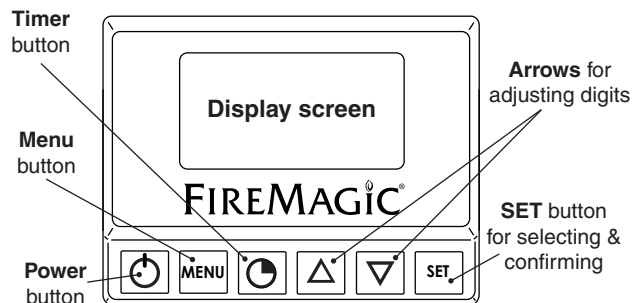


Fig. 18-2 Orientation

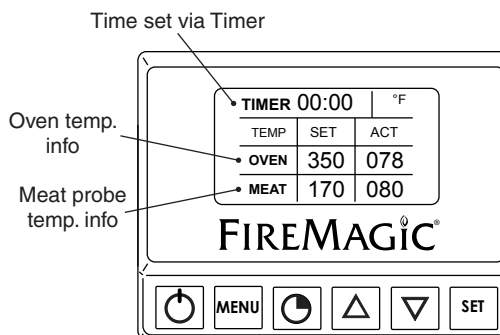


Fig. 18-3 Default screen detail

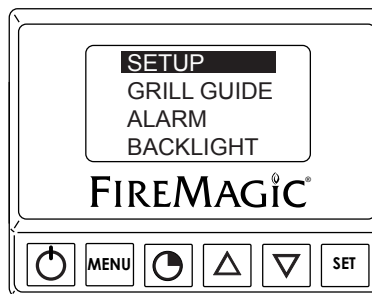


Fig. 18-4 Menu screen

Setting Oven and/or Meat Probe Temperature

1. From the default screen, press the down arrow to the desired oven / meat probe area (flashing). Press **SET**.

Note: The OVEN SET TEMP controls the temperature inside of the grill. (This is the thermostat function.)

2. The selected location's temperature screen will be displayed. Use the arrows to set the desired temp. The actual temp. will also be shown (see Fig. 19-1).

Note: **PRESSING** the arrows will adjust the desired temp. by increments of one degree. **HOLDING** them down (for several seconds) will adjust the temp. rapidly.

3. Press **SET** to return to the default screen. Repeat as necessary for other area.

The display will flash red and the alarm will sound (if set to do so) when the oven / meat probe reaches its set temperature. Press any button to silence.

Grill Guide and Meat Probe

The grill guide displays recommended ready temperatures for various meats (see Fig. 19-2).

1. Under the menu screen select GRILL GUIDE. Press **SET**.
2. Press the up/down arrow to view the desired meat.
3. Note the temp. and press **SET**. This will take you to the meat probe temperature screen.
4. Use the arrows to set the noted temp.
5. Press **SET** to return to the default screen.

Inserting the meat probe into the cooking meat will give an actual temp. reading. The display will flash red and the alarm will sound (if set to do so) when the actual temp. reaches the set temp. Press any button to silence.

Do not leave the meat probe in the meat for a prolonged period of time, or with the hood closed. The meat probe is calibrated specifically for use at temperatures between 130°F and 180°F.

Setting the Timer

1. Press the timer button. Use the arrows to set the desired amount of time (see Fig. 19-4).
2. Press **SET** to return to the default screen.

The time remaining will be shown on the default screen. Once the time reaches zero; the display will flash red and the alarm will sound. Press any button to silence.

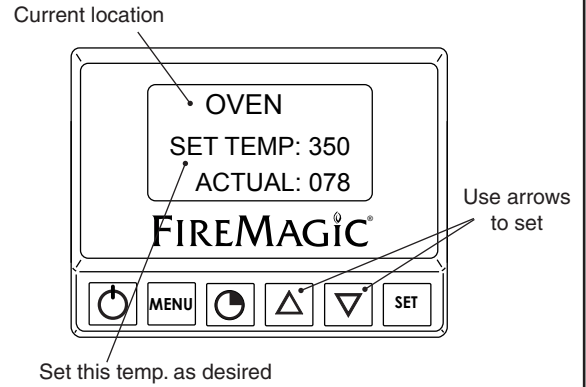


Fig. 19-1 Area temp. screen (oven shown)

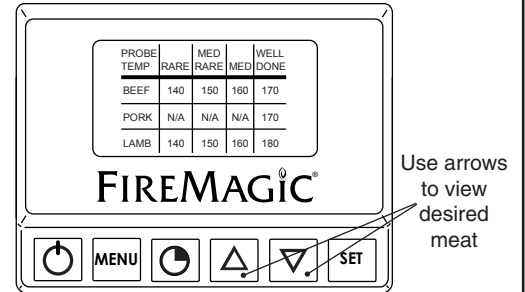


Fig. 19-2 Grill Guide screen

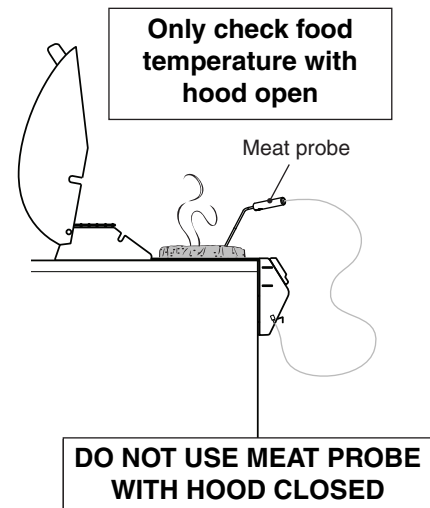


Fig. 19-3 Meat probe

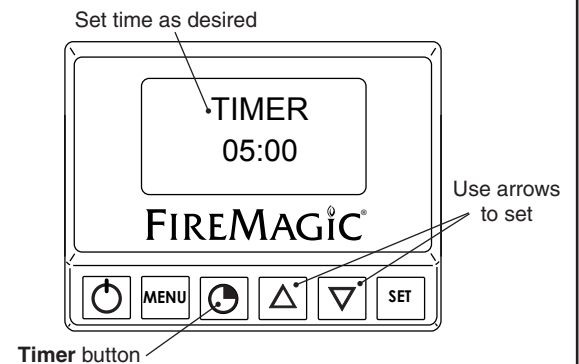
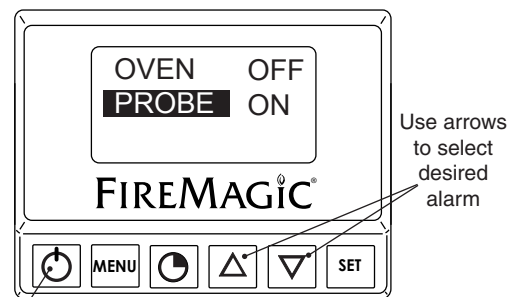


Fig. 19-4 Timer screen

Setting the Alarm (Oven Temp. or Meat Probe)

The alarm can be individually set (ON or OFF) for the meat probe and oven temp. The default setting has the alarm OFF for the meat probe and oven temp. The alarm always alerts for the TIMER.

1. Under the menu screen select ALARM. Press **SET**.
2. Use the up/down arrow to select the desired alarm, and press the power button to turn the alarm ON/OFF.
3. Press **SET** to return to the menu screen.
4. Press **MENU** to return to default screen.



Press power button to turn colors ON/OFF

Fig. 20-1 Alarm screen

Setting the Thermometer Backlight

The default color for the thermometer backlight is blue. The color may be changed as desired by turning the three base colors ON/OFF. Various combinations will result in different colors.

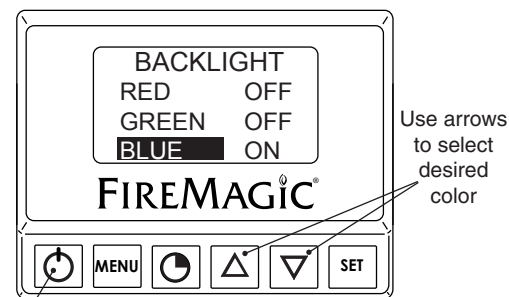
1. Under the menu screen select BACKLIGHT. Press **SET**.
2. Use the up/down arrow to select the desired color, and press the power button to turn the color ON/OFF.
3. Press **SET** to return to the menu screen. The new color will now show.
4. Press **MENU** to return to default screen.

Note: Turning all colors OFF will result in no backlight.

Important: Turn on no more than 2 colors at a time.

Changing Temperature Scale (°C/°F)

1. Under the menu screen select SETUP. Press **SET**.
2. Press **SET** to select **SETUP FC**.
3. Select as desired and press **SET** to return to the menu screen.
4. Press **MENU** to return to the default screen.



Press power button to turn ON/OFF

Fig. 20-2 Backlight screen

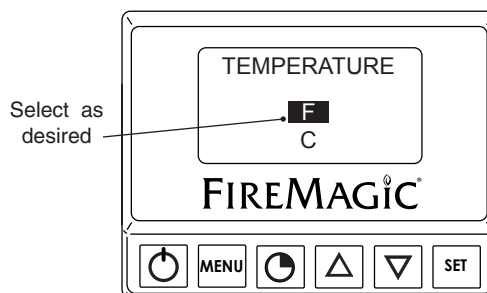


Fig. 20-3 Temperature scale screen

OPERATION

COOKING ELEMENT

The cooking element may be adjusted between two different heights. Be sure the grill is off and completely cool before making any adjustments.

1. Remove the warming rack and cooking grids.
2. Grasp the cool cooking element, lift upwards and apply pressure towards the right of the grill. Once it clears the tab, raise or lower it to the desired height. (See Fig. 21-1.) Be sure it securely rests in position.
3. Replace the cooking grids and warming rack.

Important: To prevent overheating, the cooking element must not come in contact with the thermocouple. A nominal clearance of 1/8" must be maintained at all times. (See Fig. 21-2.)

ROTISSERIE (IF EQUIPPED)

Be sure the grill is off and completely cool before beginning rotisserie set up.

1. Remove the warming rack and cooking grids.
2. Adjust the cooking element to the lowest position (if necessary). See COOKING ELEMENT section above for details.
3. Slide the rotisserie motor fully onto the motor bracket located on the left side of the grill (Fig. 21-3).

Note: Rotisserie kits for custom models include a motor adapter. Install the motor adapter as shown in Fig. 21-3.

4. Slide right meat holder into position on rotisserie rod as shown in Fig. 21-4 and tighten screw.
5. Slide meat onto rod and into holder (Figs. 21-4).

Note: To allow proper operation, meat diameters should not exceed 8 inches.

6. Slide left meat holder onto rod and into meat (Fig. 21-4). Tighten thumb screw.
7. Support both ends of the rod so it spins freely. If meat weight is distributed unevenly, the rod will rotate until the heavy side of the meat points downward.
8. Insert the pointed end of the rod into the motor drive socket, and the groove next to the knob into the notch on the right side of the grill.
9. Plug in the rotisserie motor and press the switch to start.

CAUTION: WHEN USING THE ROTISSERIE, KEEP THE OVEN LID CLOSED TO PREVENT HEAT LOSS, PROVIDE PROPER CONVECTION, AND PROVIDE PROPER VENTING. THIS WILL ENSURE EVEN COOKING TEMPERATURES.

DO NOT KEEP YOUR OVEN LID OPEN DURING ROTISSING, AS THIS MAY CAUSE PERSONAL INJURY, OR IN SOME CASES, IN WINDY CONDITIONS, DAMAGE TO THE GRILL.

Reference the DIGITAL THERMOMETER/THERMOSTAT section to begin cooking.

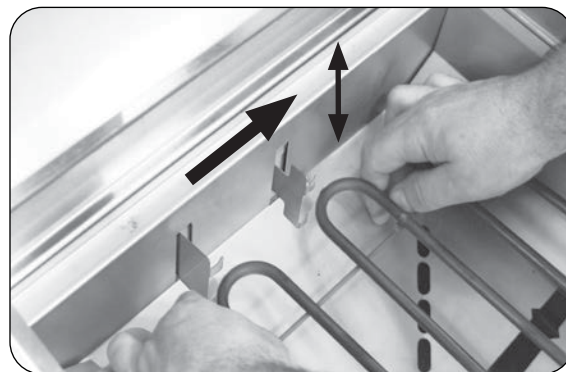


Fig. 21-1 Adjust cooking element

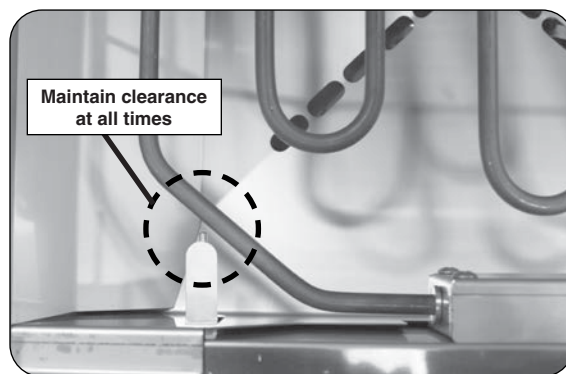


Fig. 21-2 Thermocouple clearance

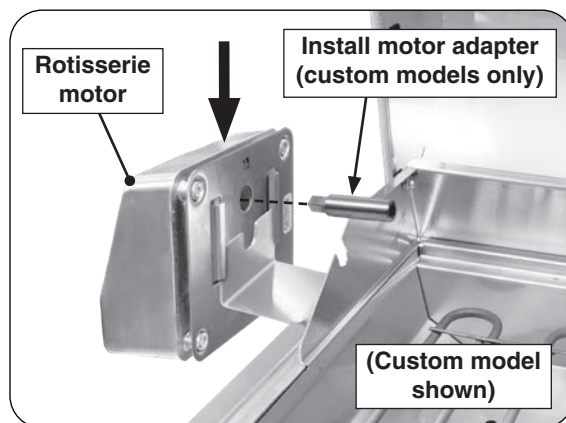


Fig. 21-3 Install rotisserie motor

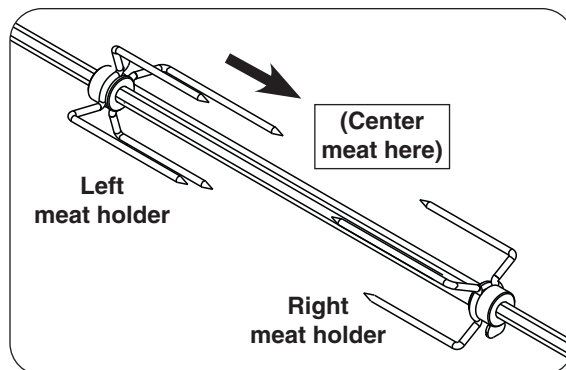


Fig. 21-4 Install meat holders

SERVICING AND CLEANING

Your electric grill requires regular cleaning and maintenance. Refer to these instructions for details. Performing these procedures will ensure proper operation, appearance, and safety.

WARNINGS

- Prior to servicing or cleaning make sure the unit is completely cool, the unit is off, and the power supply is disconnected (as applicable and unless otherwise stated).
- Wear appropriate gloves and safety glasses during any servicing or cleaning.
- DO NOT spray any cleaner or liquids on the unit when hot.
- The unit MUST be cleaned regularly to prevent grease build-up and other food deposits. A clean and well maintained unit prevents the risk of grease build-up and grease fires.
- Verify proper operation after servicing or deep cleaning.
- See IMPORTANT SAFEGUARDS section for additional related information.

CLEANING YOUR ELECTRIC GRILL

Before Each Use

1. **Inspect and clean the exterior surfaces of the unit:** With a cool grill, clean any dust, grease, splatter, or spills as needed with a damp clean cloth.

After Each Use

1. **Clean the cooking grids:** Use a grill brush to clean the cooking grids of all residue. Use long-handled insulated BBQ tools and wear an insulated glove / oven mitt.

Important: The cooking element is self-cleaning (it does not require manual cleaning).

2. **Check and clean your drip tray:** When the unit is cool, carefully remove the drip tray and dispose of contents appropriately. If tray is equipped with a liner, dispose of the liner. Clean tray in a soapy water solution if needed. For tough deposits, a copper pad can be used. Rinse and dry completely. Replace a new liner and insert the tray back into the electric grill. Order more drip tray liners through your dealer.
3. **Cover your grill:** Once the unit is dry and cool, cover your grill with a Fire Magic protective cover (not included).

Twice A Year (or as needed) - Deep Clean

1. **Interior of grill:** In addition to cleaning the cooking grids and drip tray, a deep clean of the interior and all components MUST be performed twice a year (or as needed depending on use). Follow the steps below.
 - a. With a cool unit, open the oven lid and remove the cooking grids and inner liners. Clean all components in a soapy water solution, rinse, dry, and set aside. For tough deposits, a copper pad can be used. The components can also be cleaned in a dishwasher.

Note: Refer to the parts list and INNER LINER REMOVAL section as needed.

- b. Grill inner walls: use a grill cleaner and a copper pad to scrub the inner walls. Fire Magic grill cleaner is recommended. Follow instructions provided with the grill cleaner.

Wipe down the entire surface of the inner walls with a wet, clean, heavy-duty rag. Remove all cleaner.

- c. Re-install all components removed during this process.

2. **Exterior of grill:** With a cool grill, use a grill cleaner (or a soapy water solution) and a clean cloth to remove grease and dirt from the grill exterior. For tough deposits, a copper pad can be used. Always wipe with the grain. Rinse and dry completely. Then follow up with a stainless steel cleaner and a clean cloth.

If this routine cleaning is not performed, the stainless steel may become dull and develop surface rust (due to use and atmospheric conditions). If left uncleaned, significant damage and pitting may occur.

Important: DO NOT use steel wool, any other metal tools, or any other cleaners/chemicals to clean the exterior other than recommended above. Such items promote rust.

Note: Due to the nature of stainless steel, temperatures produced by the cooking process will cause discoloration. This can be reduced by routine cleaning.



Fig. 22-1 Wipe with grain

SERVICING AND CLEANING (cont.)

For Environments High In Salt, Chloride, Or Other Corrosive Chemicals

When this grill is installed in a corrosive environment such as near the ocean (salt air), poolside (chlorine and/or pool chemicals) or any other location with exposure to high salt/chloride content or corrosive chemicals/solutions, it will be more susceptible to corrosion and **MUST** be maintained/cleaned **more frequently**.

- **DO NOT** store any corrosive chemicals (chlorine, hydrochloric acid, fertilizer, etc.) near your stainless steel unit.
- **DO NOT** allow any corrosive materials (masonry dust, debris, etc.) to settle on your stainless steel unit.
- These environments, chemicals, and materials may cause the 304 stainless steel to develop surface rust and consequently pitting. Under these conditions the unit exterior **MUST** be cleaned at least monthly. Inspect your grill often and clean accordingly.

Protecting Your Electric Grill

An optional Fire Magic protective cover will protect your grill when not in use. Install the cover on a cool and dry unit. **DO NOT** cover a damp grill. During high humidity or after rainy conditions, remove the cover to dry trapped moisture if present. (If the cover is installed over a damp unit it can cause surface rust.)

Ensure that the **INSIDE** of the cover is **DRY** before putting it back on the grill.

CONTROL PANEL REMOVAL

1. Ensure the grill is completely cool and the power supply is disconnected.
2. Remove the cooking grids and warming rack.
3. Partially slide the drip tray out (to support the control panel when removed).
4. Loosen the nuts underneath the control panel with a 11/32" wrench, then lift the panel until it is freed from the screws. Carefully rest the panel on the drip tray. Reference Fig. 24-1.

Important: When opening, take caution to not damage any wiring.

5. If wire disconnections are required, reference the wire diagram in the MODEL SPECIFICATIONS section in this instruction manual or the wire diagram label affixed to the inside of the control panel.

Note: Secure any disconnected wires (coming from the inside of the unit) to prevent them from falling in.

Note: Whenever reconnecting any wires, apply a small amount of dielectric grease to the male connector, then make the connection. This will ensure conductivity and prevent moisture from affecting the contact.

INNER LINER REMOVAL

1. Ensure the grill is completely cool and the power supply is disconnected.
2. Remove the warming rack and cooking grids.
3. Grasp the cool cooking element, lift upward and apply pressure towards the right of the grill. Once it clears the support tab, completely raise it up (Fig. 24-2).
4. Lift the two side liners up and out (Fig. 24-3).
5. Lift the rear liner slightly up to clear the support tab, then forward and out (Fig. 24-4).
6. Move the front liner slightly toward the back of the grill, then lift up and out (Fig. 24-5).

To reinstall, reverse the steps above.

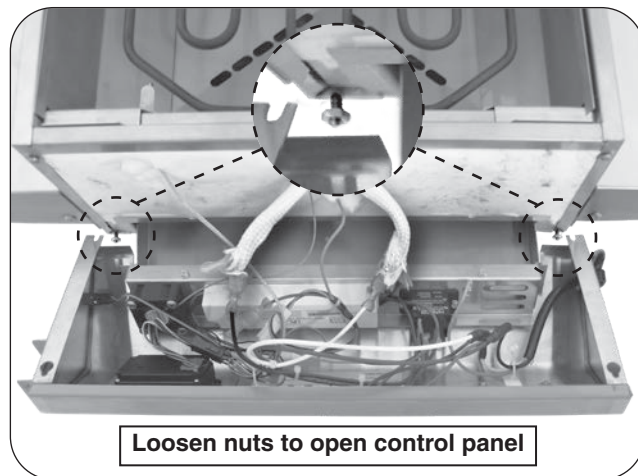


Fig. 24-1 Remove control panel

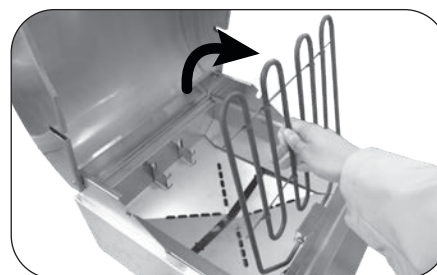


Fig. 24-2 Raise element upward

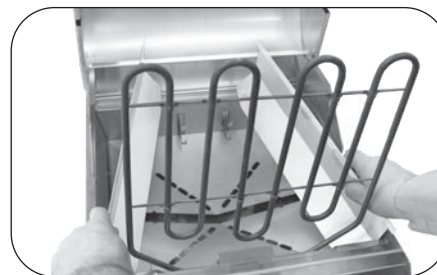


Fig. 24-3 Remove side liners



Fig. 24-4 Remove rear liner

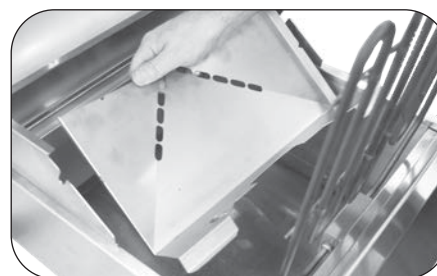


Fig. 24-5 Remove front liner

TROUBLESHOOTING

If you have trouble with the unit, please use this list to identify the problem. By trying one or more of the solutions to the possible cause, you should be able to solve the problem. If this list does not cover your present problem, or if you have other technical difficulties with the unit, please contact your local dealer.

PROBLEM	POSSIBLE CAUSE	CORRECTION
Grill does not work	<ol style="list-style-type: none">1. Power failure2. Power not plugged correctly3. GFCI plug may be tripped	<ol style="list-style-type: none">1. Check if power is available.2. Make sure the power cord plug is properly inserted into the receptacle.3. Reset switches on the GFCI receptacle.
Thermometer does not work	<ol style="list-style-type: none">1. No power to unit2. Faulty component	<ol style="list-style-type: none">1. Ensure power is available.2. Contact your dealer.
Cooking element does not work	<ol style="list-style-type: none">1. No power to unit2. Bad element	<ol style="list-style-type: none">1. Ensure power is available.2. Contact your dealer.

WARRANTY

PETERSON FIRE MAGIC GRILLS AND ACCESSORIES

LIMITED WARRANTY

Robert H. Peterson Co. ("RHP") warrants your Fire Magic® grill to be free from defects in material and workmanship.

Fire Magic® cast stainless-steel gas burners, Choice stainless steel U-shaped burners, cooking grids, and stainless steel housings are warranted as long as you own your Fire Magic® grill -- **LIFETIME**. (Except as described below.)

Fire Magic® valves, manifold assemblies, inner liners, porcelain housings (including ovens and barbecue faces), and **backburner assemblies** (except ignition parts) are warranted for **FIFTEEN (15) YEARS**.

Fire Magic® Electric Grills, stainless steel cooking grids and stainless steel housings are warranted for **TEN (10) YEARS**.

Fire Magic® built-in and portable griddles (except ignition system) are warranted for **TEN (10) YEARS**. (Except as described below.)

Fire Magic® Infra-red burners, flavor grids, and charcoal stainless steel grills are warranted for **FIVE (5) YEARS**; except for the charcoal pan, charcoal grid, thermometer, and ash catch tray, which are warranted for **ONE (1) YEAR**.

Fire Magic® sideburners, exterior Glass Fiber Reinforced Concrete (GFRC) grill island systems, and all other grill components (except ignition systems and electronic parts) are warranted for **THREE (3) YEARS**.

Fire Magic® grill and griddle ignition systems (excluding batteries), electronic components (including lights and thermometers), and grill accessories are warranted for **ONE (1) YEAR**.

A COPY OF YOUR SALES SLIP FOR PROOF OF PURCHASE IS REQUIRED

This warranty applies to the original purchaser for products which are installed in the United States or Canada and which are operated and maintained as intended for single family residential usage. This warranty is valid only with proof of purchase, commence on the date of purchase, and terminates (both as to original and any replacement products) on the anniversary date of the original purchase of the product per the above schedules.

This warranty covers defects in material and workmanship. This warranty **does not** cover parts which become defective as a result of negligence, misuse, use not in compliance with the Installation and Owner's Manual, accidental damage, improper handling, improper storage, improper installation, **lack of required routine maintenance** (as specified in the Installation and Owner's Manual), or electrical damage. Product must be installed as specified in the Installation and Owner's Manual by a **qualified professional installer**. Modifications to products which are not specifically authorized will void this warranty. Accessories, parts, valves, remotes, etc. when used must be Peterson products or this warranty is void. Warranted items will be repaired or replaced at Peterson's sole discretion. This warranty **does not** apply to rust, corrosion, oxidation, or discoloration unless the affected part becomes inoperable.

This warranty **does not** cover labor or labor related charges, except as provided by separate specific written programs from the Peterson Co. All repair work must be performed by a qualified professional service person and requires prior approval of Peterson.

Peterson may require the defective product or part to be returned to the factory to determine the cause of failure. Peterson will pay freight charges if the product or part is determined to be defective. This warranty does not cover breakage in shipment from our (Independent) distributor to its customer if the damage is determined to have occurred during that shipment.

This warranty specifically excludes liability for **indirect, incidental**, or consequential damages. Some states and provinces do not allow the exclusion or limitation of incidental or consequential damages, so the above exclusion may not apply to you. This warranty gives you specified legal rights, and you may have other rights that vary from state to state or province.

For additional information regarding this warranty, or to place a warranty claim, contact the R. H. Peterson dealer where the product was purchased.

When contacting your Peterson dealer or the R. H. Peterson Co., please provide the following information:

- Your name, address, telephone number, e-mail
- Sales receipt showing where purchased and date purchased
- Model number, serial number of product, date code
- Relevant information: installer, additions, repairs, when defect was first noted

**TO REGISTER YOUR PRODUCT ONLINE GO TO: WWW.RHPETERSON.COM,
AND CLICK ON PRODUCT REGISTRATION. THANK YOU FOR YOUR PURCHASE.**

Quality Check	Date: _____
Electrical Leak Test: _____	Burn Test: _____
Model#: _____	Serial#: _____
Inspector: _____	